

## Wide Input Voltage Range 10 Watt Dc-Dc Converter

### FEATURES:

4:1 Wide Input Voltage.

Efficiency To 80%

PI Input Filter.

1500Vdc Isolation MTBF: > 1,500,000 hrs

Operating Temperature: -40C to +100C

Specifications typical at TA=25°C, nominal input voltage and rated output current unless otherwise specified							
Part Number	Input Voltage	Input Current		Output Voltage	Output Current	Efficiency	Capacitor Load
	Vdc	No-Load (mA TYP)	Full Load (mA TYP)	Vdc	Full Load(mA)	%TYP	uF TYP
AS10AWR-24S05FC	9-36	25	508	5	2000	82	3300
AS10AWR-24S09FC	9-36	25	502	9	1111	83	680
AS10AWR-24S12FC	9-36	25	490	12	833	85	680
AS10AWR-24S15FC	9-36	25	490	15	666	85	470
AS10AWR-24D05FC	9-36	25	508	±5	±1000	82	±2200
AS10AWR-24D09FC	9-36	25	502	±9	±555	83	±470
AS10AWR-24D12FC	9-36	25	490	±12	±416	85	±470
AS10AWR-24D15FC	9-36	25	490	±15	±333	85	±330
AS10AWR-48S05FC	18-72	20	254	5	2000	82	1000
AS10AWR-48S09FC	18-72	20	251	9	1111	83	680
AS10AWR-48S12FC	18-72	20	245	12	833	85	680
AS10AWR-48S15FC	18-72	20	245	15	666	85	470
AS10AWR-48D05FC	18-72	20	254	±5	±1000	82	±2200
AS10AWR-48D09FC	18-72	20	251	±9	±555	83	±470
AS10AWR-48D12FC	18-72	20	245	±12	±416	85	±470
AS10AWR-48D15FC	18-72	20	245	±15	±333	85	±330

### Input Specifications

Parameters	Conditions	Min	Typ	Max	Units
Voltage Types				4:1	
Filter	Pi TYPE				

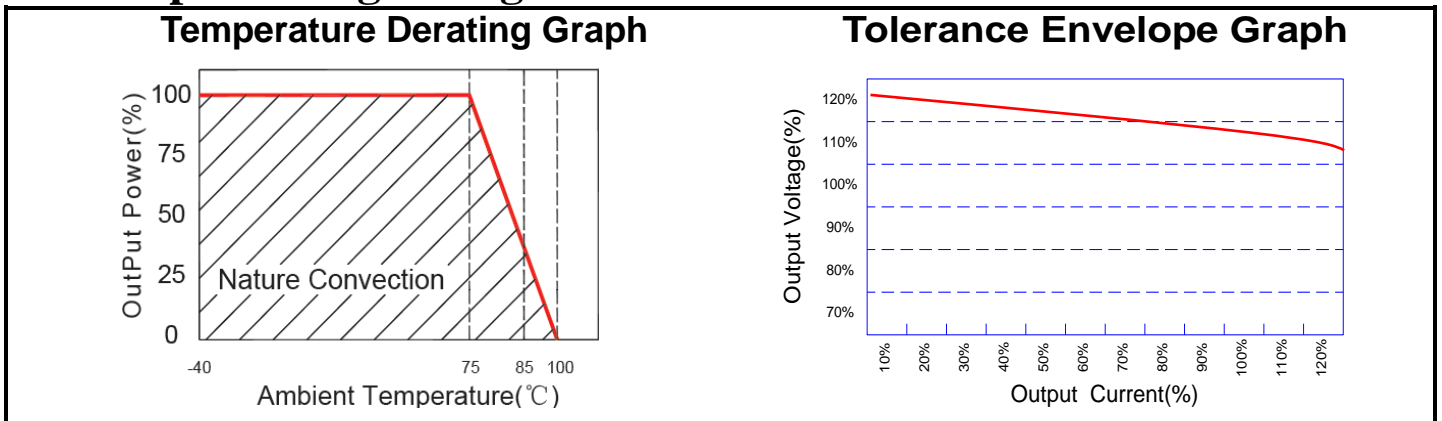
### Output Specifications

Parameters	Conditions	Min	Typ	Max	Units
Voltage Tolerance	Full load Vin(nom.)			±2	%
Short Circuit Protection	Hiccup, automatic recovery				
Line Regulation				±0.5	%
Load Regulation	SINGLE(25% to 100%)			±0.5	%
Load Regulation	Dual(25% to 100%,Balance Load)			±2.0	%
Cross Regulation	DUAL(25% to 100%)			±5.0	%
Ripple & Noise	BW=DC To 20MHz			100	mVp-p
Transient response setting time	50% load step change		350		us

### General Specifications

Parameters	Conditions	Min	Typ	Max	Units
Isolation Resistance	500Vdc	1000			MΩ
Switching Frequency			300		KHz
Operating Temperature	With derating	-40		100	°C
Humidity	Non Condensing			95	%
Cooling	Free air Convection				
Case material	Nickel Coated With Non-Conductive Base				
Weight			36.5		g
Dimensions			50.8x25.4x10.6		mm
Potting Material	Epoxy (UL94V-0 rated)				

# Wide Input Voltage Range 10 Watt Dc-Dc Converter

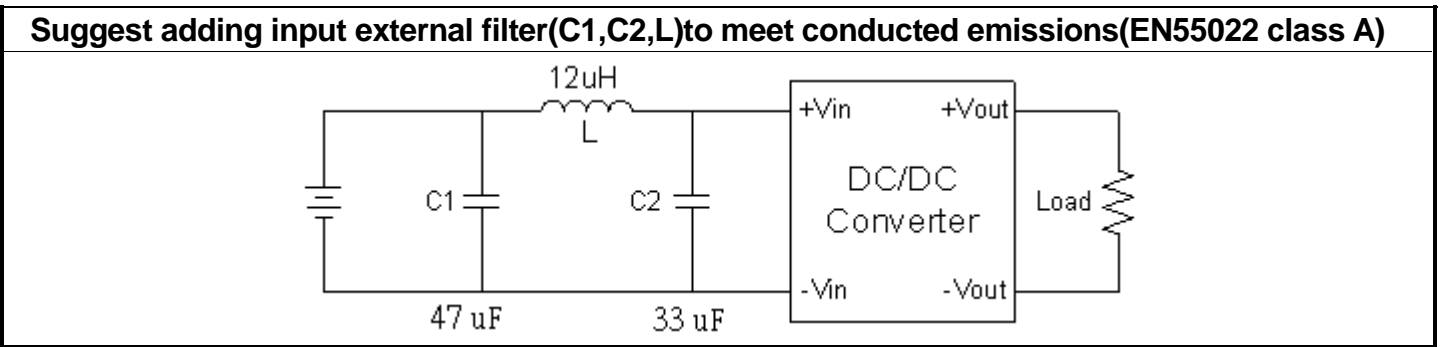


### Recommended Test Circuit

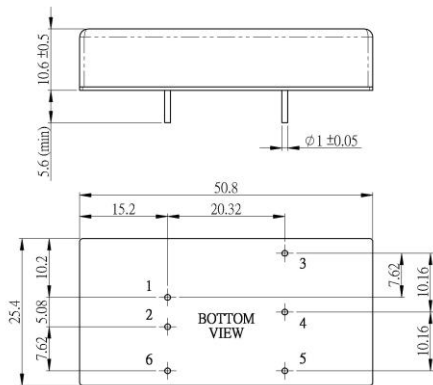
### Part Number

AS10 AWR - 24 D 15 F C  
1 2 3 4 5 6 7 8 9

- 1:Series
- 2:Operating Temperature -40C to +100C
- 3:Wide Input Voltage Range 4:1
- 4:Regulated
- 5:Input Voltage
- 6:(S) Single (D) Dual Output
- 7:Output Voltage
- 8:Case
- 9:Short Circuit Protection Continuous



## PIN Assignment



Unit : mm  
Tolerance : XX.X ± 0.5 , XX.XX ± 0.25

PIN Assignment						
PIN	1	2	3	4	5	6
SINGLE	+Vin	-Vin	+Vout	NO PIN	-Vout	NO PIN
DUAL	+Vin	-Vin	+Vout	COM	-Vout	NO PIN