

## Features

1WATT SIP PACKAGE  
 EFFICIENCY TO 81%  
 100% BURNED IN  
 CUSTOM SOLUTIONS  
 OUTPUT TYPES

## Input Specifications

Input Voltage :5Vdc  
 Input Voltage Range :± 10%

## Output Specifications

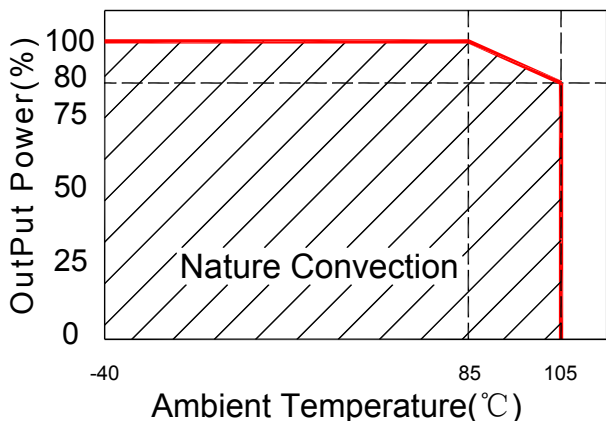
Output Voltage :24Vdc  
 Output Voltage Accuracy :± 5% Vout=22.8-25.2Vdc Vin=5Vdc  
 Output Current :42mA  
 Efficiency :81% TYP  
 Ripple / Noise :60mVp-p TYP, 100mVp-p MAX 20MHz Bandwidth  
 Short Circuit Protection :Continuous  
 Line Regulation :± 1.2% TYP For 1.0% OF Vin  
 Load Regulation :± 10% MAX 10% to 100% full load

## General Specifications

Operating Temperature Range :-40°C ~ +105°C  
 Storage Temperature :-55°C ~ +125°C  
 Switching Frequency :100KHz TYP  
 Humidity :95% MAX  
 Isolation Voltage :3000Vdc Input to Output ( 2sec/0.5mA )  
 Isolation Resistance :1000MΩ MIN 500Vdc  
 Cooling :Free air convection  
 MTBF :>3500000 Hours MIL-HDBK-217F 25°C ,Ground Benign.  
 Case Material :DAP  
 Weight :2.7g TYP

**Temperature Derating Graph**

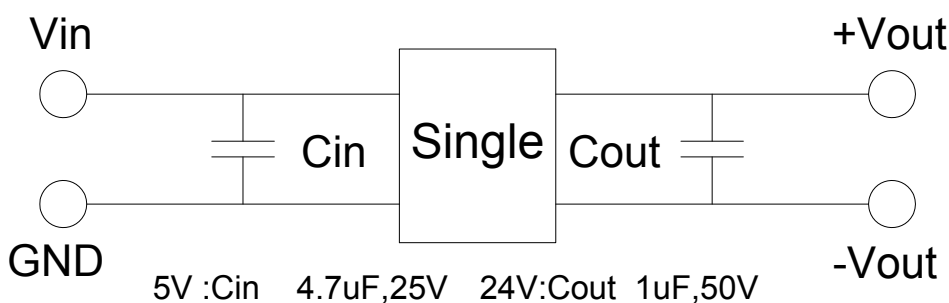
**Part Number**



AS1A - 05 S 24 G 3 C  
1 2 3 4 5 6 7

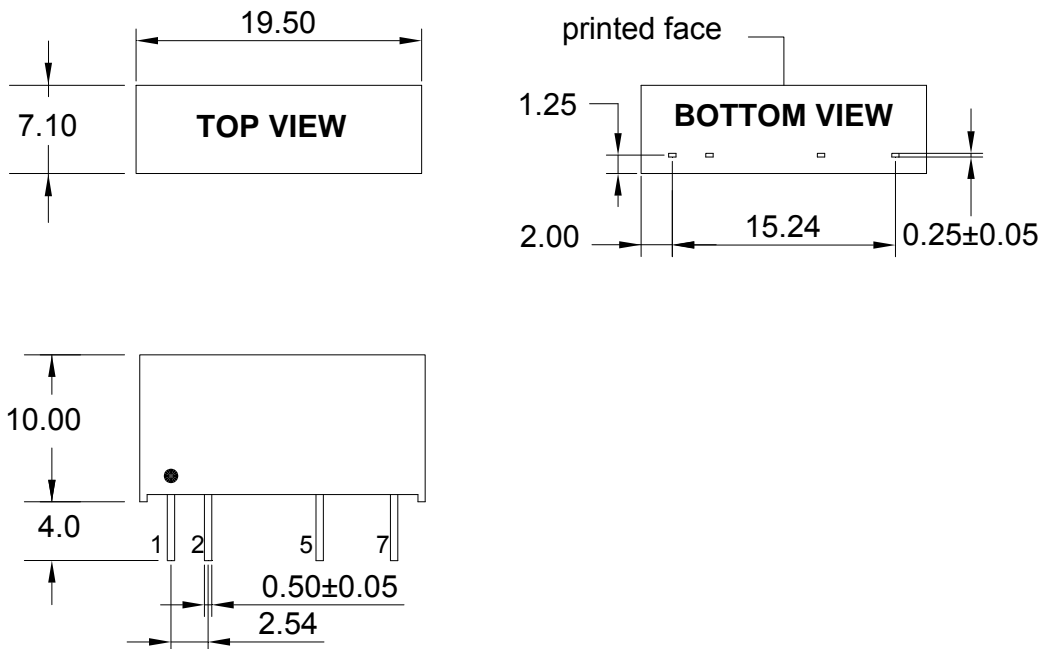
- 1:Series
- 2:Input Voltage
- 3:(S) Single Output
- 4.Output voltage
- 5:Case
- 6.3000Vdc Isolation
- 7.Short Circuit Protection Continuous

**Recommended Test Circuit**



To make sure the product work at perfect operation status with full loading external capacitor is necessary and it is recommended to use high frequency low resistance electrolytic capacitor.

**Outline Dimensions**



**UNIT:mm Unless otherwise specified,all tolerances are ±0.25**

PIN	1	2	5	7
Single	+Vin	-Vin	-Vout	+Vout