

10Watt, Single & Dual Output, AC/DC Power Module Converter

FEATURES:

Universal Input 90~264VAC

High Efficiency Up To 82%

Protection: Short Circuit /Overload/Over Voltage

Fully Encapsulated Plastic Case

Internal Input Filter

ROHS Compliant



AS10220 - G S XX

A B C D

A:Series 10 Watt

B:Case

C:Single (S) Dual (D)

D:Output Voltage

Specifications typical at TA=25°C, nominal input voltage and rated output current unless otherwise specified

Part Number	Output Wattage	Output Voltage	Output Current	Ripple & Noise	Efficiency
	(W)	(VDC)	(mA)	(mV) max(Note)	(TYP %)
AS10220- GS03	10.0	3.3	3000	100	74
AS10220- GS05	10.0	5	2000	100	76
AS10220- GS12	12.0	12	1000	150	80
AS10220- GS15	12.0	15	800	150	80
AS10220- GS24	12.0	24	500	240	80
AS10220- GS48	12.0	48	250	240	82
AS10220- GD05	10.0	±5	±1000	100	75
AS10220- GD12	12.0	±12	±500	150	75
AS10220- GD15	12.0	±15	±400	150	75
AS10220- GD24	12.0	±24	±250	240	77
AS10220- GD0512	10.0	Vo1=+5,Vo2=+12	Io1=1500,Io2=200	100(Vo1) 150(Vo2)	74
AS10220- GD0515	10.0	Vo1=+5,Vo2=+15	Io1=1400,Io2=200		74
AS10220- GD0524	10.0	Vo1=+5,Vo2=+24	Io1=1200,Io2=200		75

Input Specifications

Parameters	Conditions	Min	Typ	Max	Units
Rated Input Voltage	Vo,lo nom		100~240		Vac
Voltage Range	Vo,lo nom	AC in	90	264	Vac
		DC in	120	370	Vdc
Line frequency	Vi nom,lo nom	47	50/60	63	Hz
Inrush Current	Io nom	Vi:115VAC		10	A
		Vi:230VAC		20	A
Input Fuse	VDE/UL/CCC FUSE 2.5A/250V (Slow blow)				

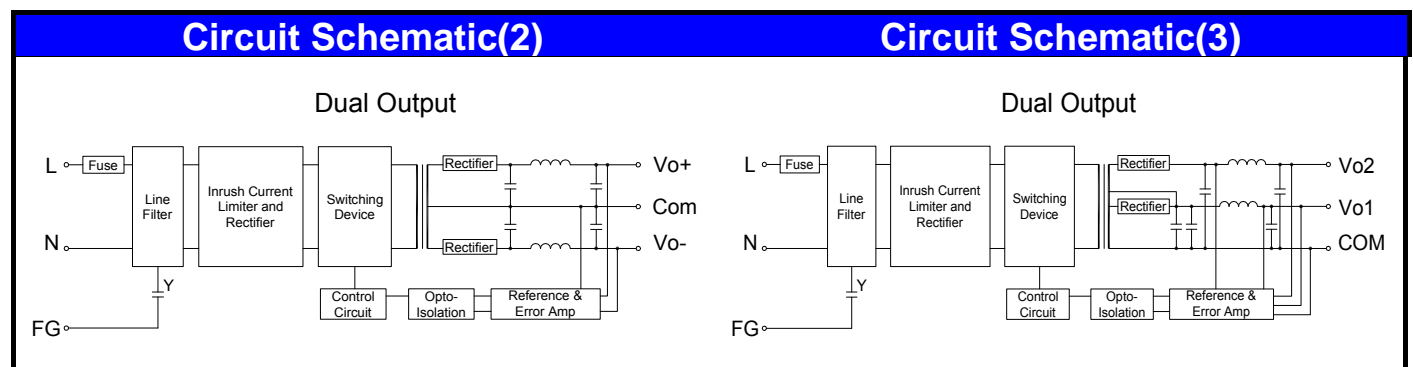
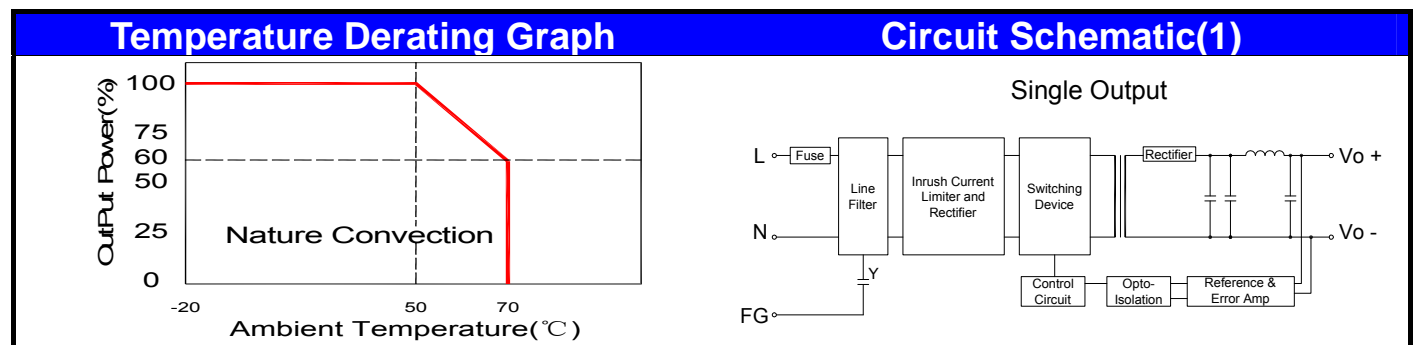
Output Specifications

Parameters	Conditions	Min	Typ	Max	Units
Output Voltage Accuracy	Vi nom,lo nom			±3	%
	(Single output)	3.3V,5V Models		±2	%
	Dual Output	12....48V Models		±5	%
Minimum Load	Vi nom				%
		Single Output Models	0		%
		Dual Output Models(each output)	20		%
Line Regulation	Io nom,Vi min...Vi max		±1		%
Load Regulation	Io min~Io nom				%
		Single Output Models		±2	%
		Dual Output Models		±5	%
Transient Recovery time	Vi nom,lo nom = ↔→0.5 Io nom		1,000		µS
Protection	Overload	Above 110% rated output power			
	Short circuit	Protection type: Recovers automatically after fault condition is removed			
	Over Voltage(Main Output)	120%-150% rated output Voltage			
		Protection type: Zener diode clamp			

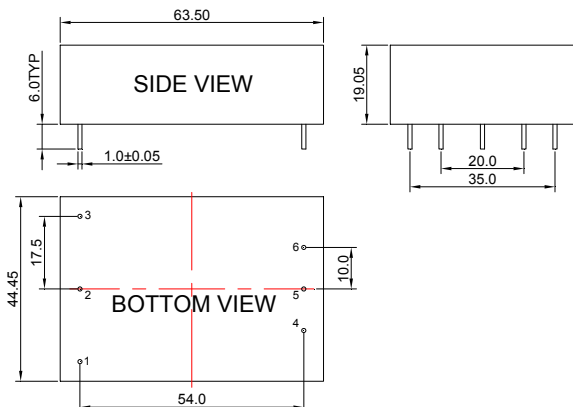
Note . Ripple & noise is measured by using 20 MHz bandwidth, measured with a 47uf paralleled with a high-frequency 0.47uf capacitor across each output by full load.

10Watt, Single & Dual Output ,AC/DC Power Module Converter

General Specifications					
Parameters	Conditions	Min	Typ	Max	Units
Switching Frequency	Vi nom, Io nom		65		KHz
Isolation Voltage	Input / Output	3kVac/ 5mA/5Secs			
Isolation Resistance	Input / Output, @500 Vdc	100			MΩ
Operating Temperature	Operating at Vi nom, Io nom	-20		+70	°C
Derating	Vi nom, Io nom +51 to 71°C			2	%/°C
Storage Temperature	Non Operational	-40		+85	°C
Relative Humidity	Vi nom, Io nom			95	% RH
Safety Standards	EN60950-1 approved				
EMI Conduction & Radiation	Compliance to EN55022				
EMS Immunity	Compliance to EN55024				
Dimension	G - L63.50x W44.45 x H19.05mm L2.5x W1.75 x H0.75 inches				
Cooling	Free air convection				



Markings and dimensions



PIN	Model		
	Single	Dual	Dual
1	FG	FG	FG
2	ACN	ACN	ACN
3	ACL	ACL	ACL
4	-Vo	-Vo	+Vo2
5	NO PIN		
6	+Vo		

Unit: mm Unless otherwise specified, all tolerances are ±0.50