

DC-DC Astra
AS3WR-xxSxxNC
AS3WR-xxDxxNC



Wide Input Voltage Range 3 Watt Dc-Dc Converter

FEATURES:

4:1 Wide Input Voltage.

3 Watt 24PIN DIL Package.

Efficiency To 80%

PI Input Filter.

1500Vdc Isolation

MTBF:>1,500,000 hrs Operating Temperature:-40°C TO +85°C



Specifications typical at TA=25°C, nominal input voltage and rated output current unless otherwise specified

Part Number	Input Voltage	Output Voltage	Output Current	Efficiency
	Vdc	Vdc	mA	%TYP
AS3WR-24S05NC	9-36	5	600	75
AS3WR-24S12NC	9-36	12	250	75
AS3WR-24S15NC	9-36	15	200	75
AS3WR-24D05NC	9-36	±5	±300	75
AS3WR-24D12NC	9-36	±12	±125	75
AS3WR-24D15NC	9-36	±15	±100	75
AS3WR-48S05NC	18-72	5	600	75
AS3WR-48S12NC	18-72	12	250	75
AS3WR-48S15NC	18-72	15	200	75
AS3WR-48D05NC	18-72	±5	±300	75
AS3WR-48D12NC	18-72	±12	±125	75
AS3WR-48D15NC	18-72	±15	±100	75

Input Specifications

Parameters	Conditions	Min	Typ	Max	Units
Voltage Types				4:1	
Filter	Capacitor				

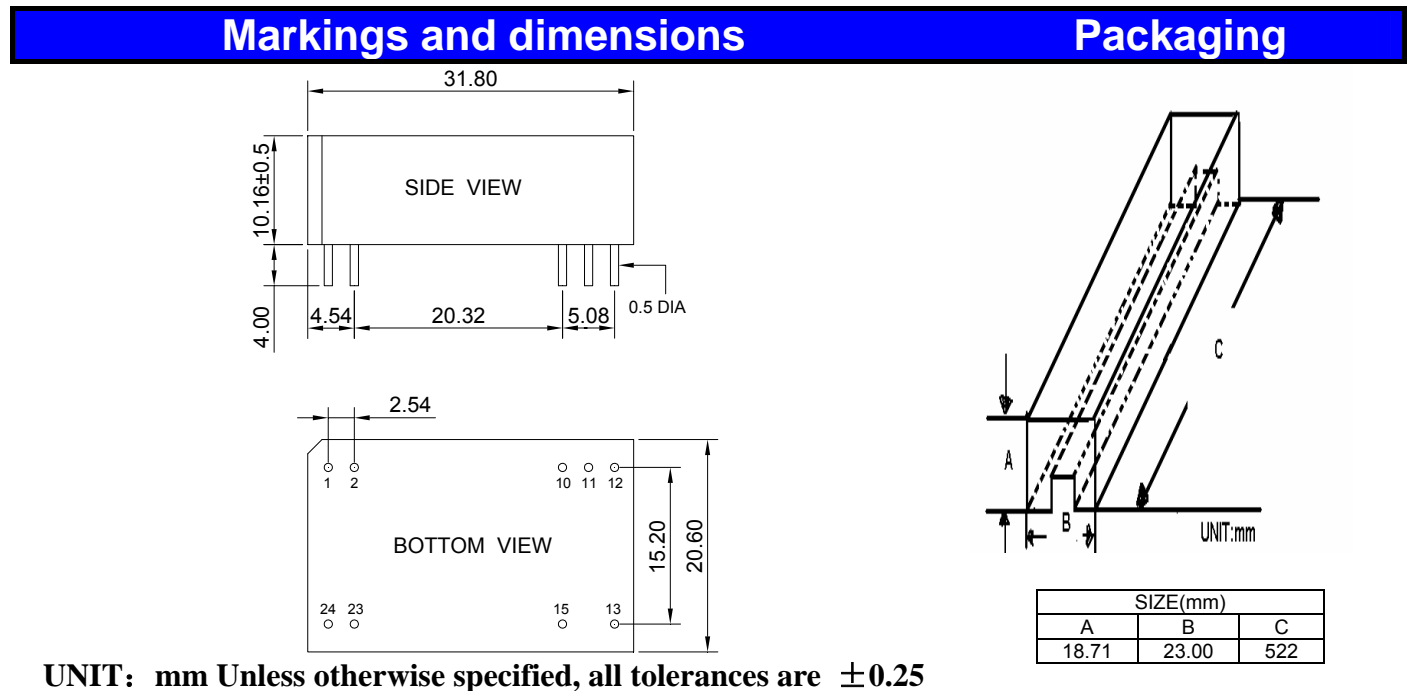
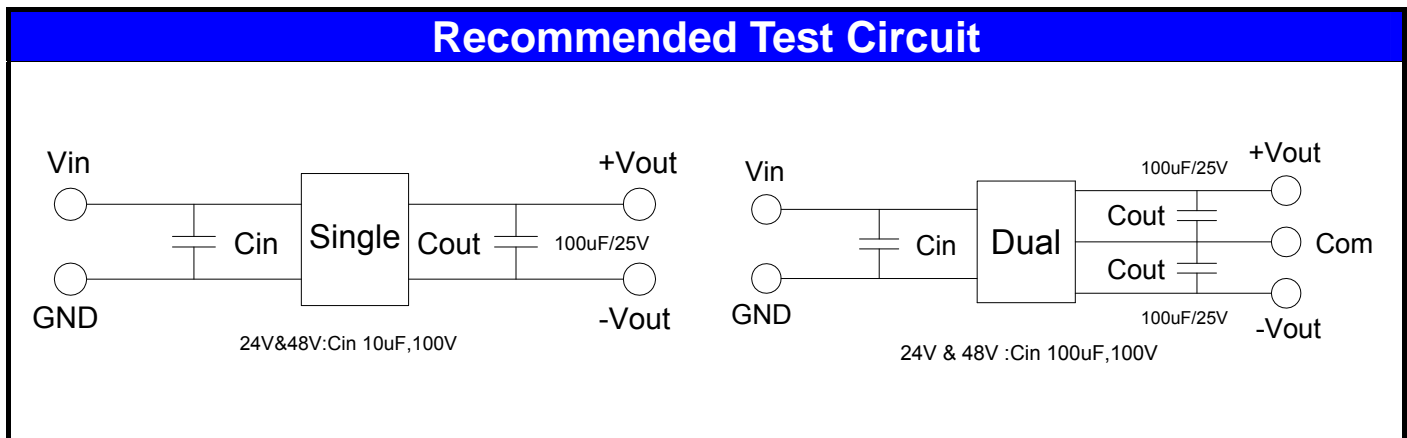
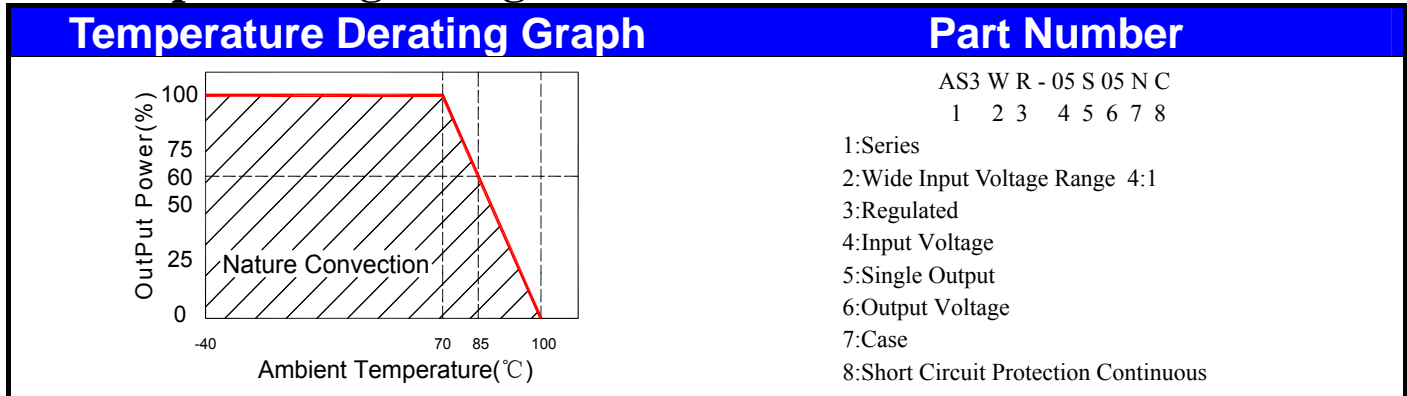
Output Specifications

Parameters	Conditions	Min	Typ	Max	Units
Voltage Tolerance				±2	%
Short Circuit Protection	Continuous				
Line Regulation				±0.5	%
Load Regulation	SINGLE			±0.5	%
Load Regulation	DUAL			±2.0	%
Ripple & Noise	BW=DC To 20MHz			100	mVp-p
Transient response setting time	50% load step change		350		us

General Specifications

Parameters	Conditions	Min	Typ	Max	Units
Isolation Resistance	500Vdc	1000			MΩ
Switching Frequency			200		KHz
Operating Temperature		-40		85	°C
Humidity	Non Condensing			95	%
Cooling	Free air Convection				
Case material	Nickel Coated With Non-Conductive Base or Black Coated Copper With Non-Conductive Base				
Weight			16.2		g
Dimensions			31.80x20.60x10.16		mm

Wide Input Voltage Range 3 Watt Dc-Dc Converter



PIN Connection						
PIN	1.2	10.11	12	13	15	23.24
SINGLE	+Vin	NO PIN	-Vout	+Vout	NO PIN	-Vin
DUAL	+Vin	COM	NO PIN	-Vout	+Vout	-Vin