

ООО Компания “Элемент”

DC-DC Astra

AS3R-xxDxxZC AS3R-xxSxxZC



Wide Input Voltage Range 3 Watt Dc-Dc Converter

FEATURES:

2:1 Wide Input Voltage.

3 Watt 24PIN DIL Package.

Efficiency To 80%

PI Input Filter.

1500Vdc Isolation

MTBF:>1,500,000 hrs Operating Temperature:-40°C TO +85°C



Specifications typical at TA=25°C, nominal input voltage and rated output current unless otherwise specified

Part Number	Input Voltage	Output Voltage	Output Current	Efficiency
	Vdc	Vdc	mA	%TYP
AS3R-05S05ZC	4.5-9	5	600	75
AS3R-05S12ZC	4.5-9	12	250	80
AS3R-05S15ZC	4.5-9	15	200	80
AS3R-12S05ZC	9-18	5	600	75
AS3R-12S12ZC	9-18	12	250	80
AS3R-12S15ZC	9-18	15	200	80
AS3R-12D05ZC	9-18	±5	±300	75
AS3R-12D12ZC	9-18	±12	±125	75
AS3R-12D15ZC	9-18	±15	±100	75
AS3R-24S05ZC	18-36	5	600	75
AS3R-24S12ZC	18-36	12	250	80
AS3R-24S15ZC	18-36	15	200	80
AS3R-24D05ZC	18-36	±5	±300	75
AS3R-24D12ZC	18-36	±12	±125	80
AS3R-24D15ZC	18-36	±15	±100	80
AS3R-48S05ZC	36-72	5	600	75
AS3R-48S12ZC	36-72	12	250	80
AS3R-48S15ZC	36-72	15	200	80
AS3R-48D05ZC	36-72	±5	±300	75
AS3R-48D12ZC	36-72	±12	±125	80
AS3R-48D15ZC	36-72	±15	±100	80

Input Specifications

Parameters	Conditions	Min	Typ	Max	Units
Voltage Types				2:1	
Filter	Capacitor				

Output Specifications

Parameters	Conditions	Min	Typ	Max	Units
Voltage Tolerance				±2	%
Short Circuit Protection	Continuous				
Line Regulation				±0.5	%
Load Regulation	SINGLE			±0.5	%
Load Regulation	DUAL			±2.0	%
Ripple & Noise	BW=DC To 20MHz			100	mVp-p
Transient response setting time	50% load step change		350		us

General Specifications

Parameters	Conditions	Min	Typ	Max	Units
Isolation Resistance	500Vdc	1000			MΩ
Switching Frequency			200		KHz
Operating Temperature		-40		85	°C
Humidity	Non Condensing			95	%
Cooling	Free air Convection				
Case material	Nickel Coated With Non-Conductive Base or Black Coated Copper With Non-Conductive Base				
Weight			16.2		g
Dimensions			31.80x20.60x10.16		mm

ООО Компания “Элемент”

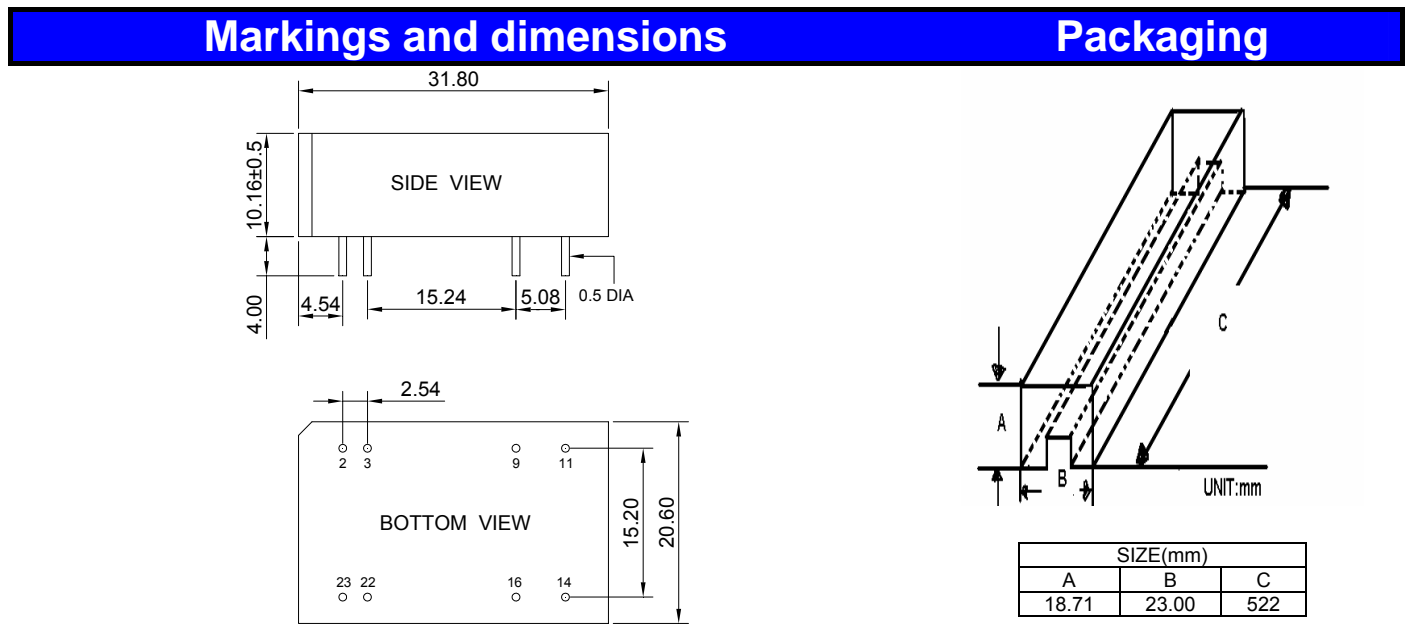
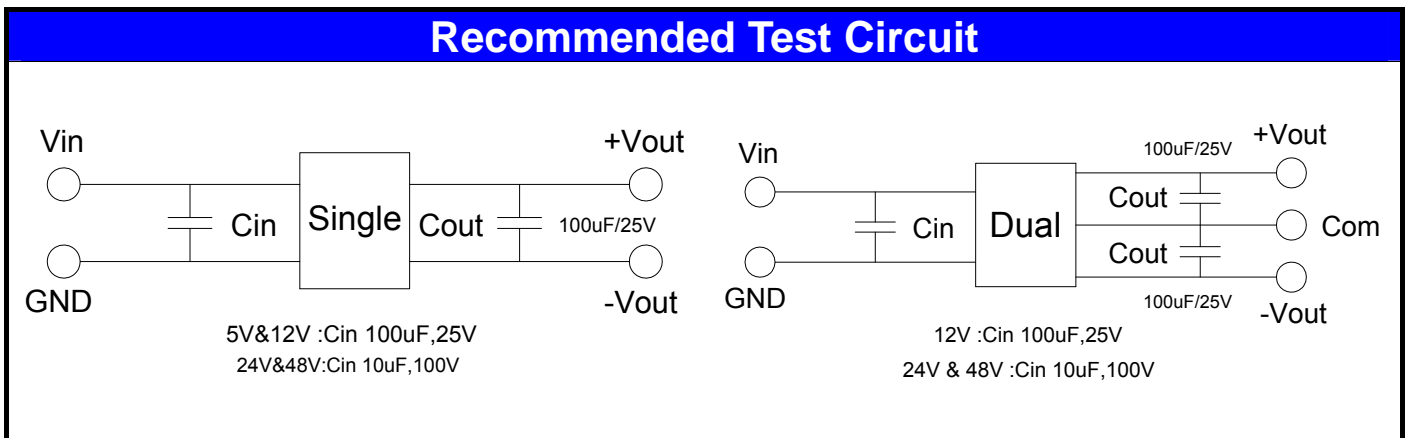
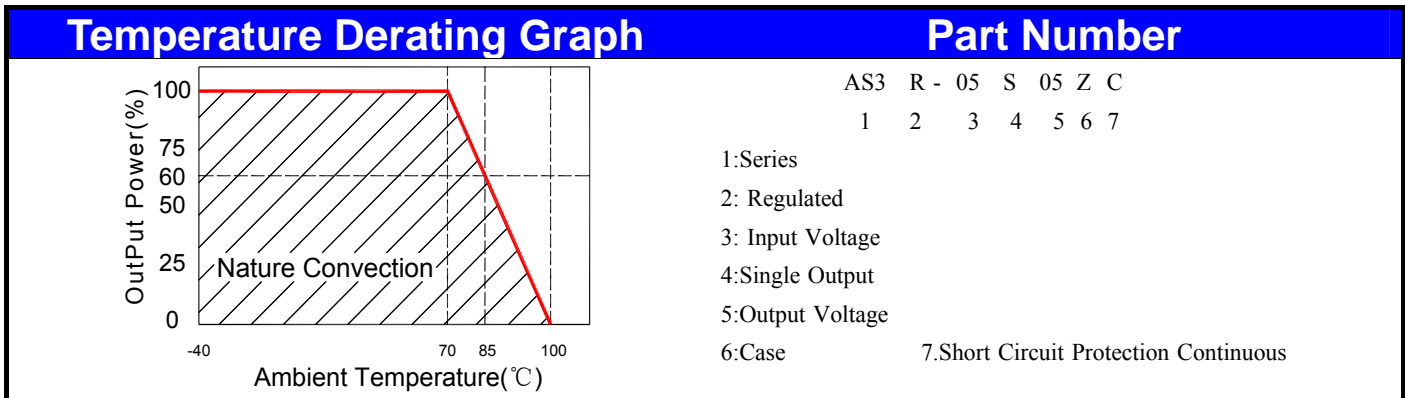
г.Новосибирск, ул.Некрасова д.50 оф.902

www.astra-power.ru

тел. (383)233-77-25, 233-77-26

моб.тел. 8-913-95-95-400

Wide Input Voltage Range 3 Watt Dc-Dc Converter



PIN Connection						
PIN	2.3	9	11	14	16	22.23
SINGLE	-Vin	NO PIN	NC	+Vout	-Vout	+Vin
DUAL	-Vin	COM	-Vout	+Vout	COM	+Vin