

**DC-DC Astra**  
**AS3R-xxSxxRC**  
**AS3R-xxDxxRC**

ООО Компания "Элемент"



**1500Vdc Isolation Single & Dual Output 3 Watt Dc-Dc Converter**

**FEATURES:**

- 5PIN DIL PACKAGE
- Low Ripple & Noise
- High Efficiency up to 85%
- Regulated Output Types
- Internal SMD Construction
- Operating Temperature:-40°C TO +85°C Industry Standard Pinout



Specifications typical at TA=25°C, nominal input voltage and rated output current unless otherwise specified

PART NO.	OUTPUT VOLTAGE	OUTPUT CURRENT	Efficiency
	Vdc	mA	%TYP
AS3R-XXS05RC	5	600	65
AS3R-XXS09RC	9	333	70
AS3R-XXS12RC	12	250	75
AS3R-XXS15RC	15	200	80
AS3R-XXS24RC	24	125	80
AS3R-XXD05RC	±5	±300	65
AS3R-XXD09RC	±9	±167	70
AS3R-XXD12RC	±12	±125	75
AS3R-XXD15RC	±15	±100	80
AS3R-XXD24RC	±24	±63	80

Note: 1."XX" Is Input Voltage :05=5Vdc,09=9Vdc,12=12Vdc,15=15Vdc,24=24Vdc,48=48Vdc.  
 2.The input voltage increases, there will be an increase in efficiency.

**Input Specifications**

Parameters	Conditions	Min	Typ	Max	Units
Voltage Tolerance	Vo, Io Nom			±10	%
Filter	Capacitor				

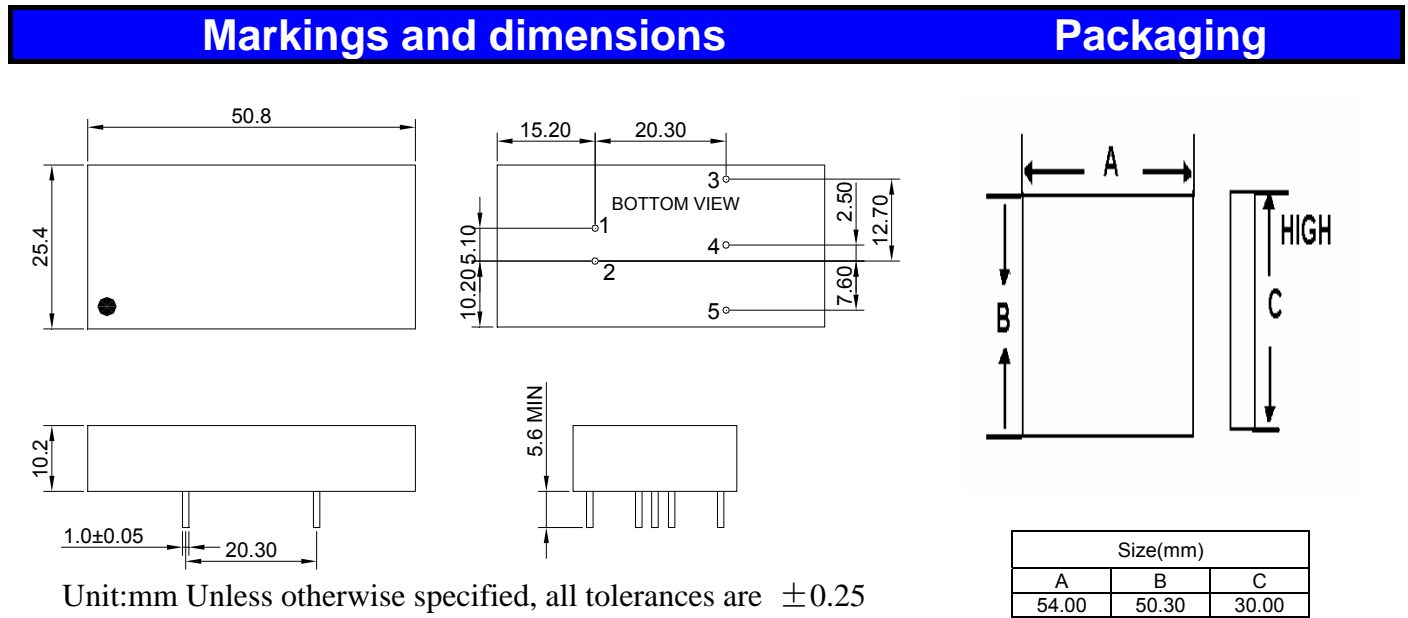
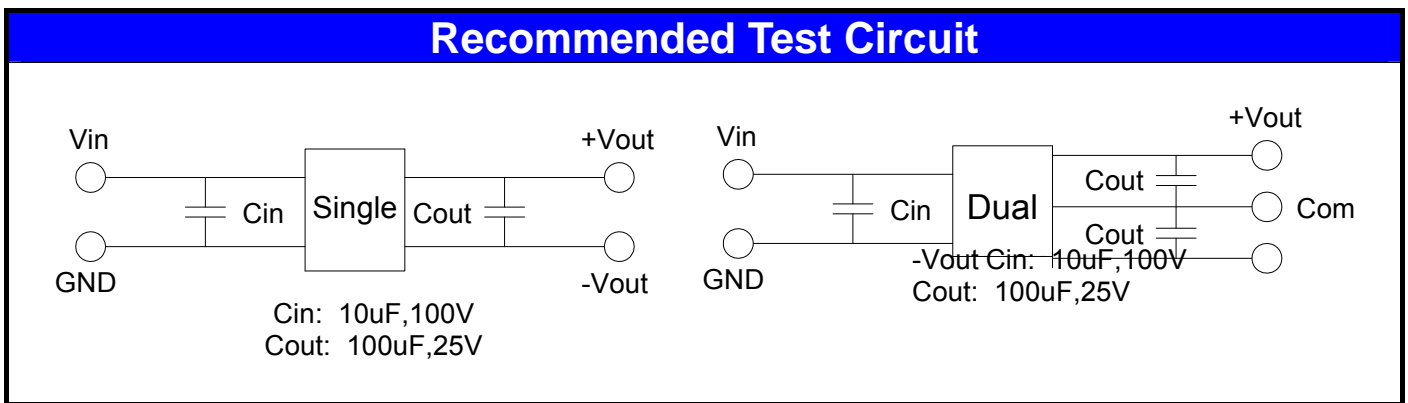
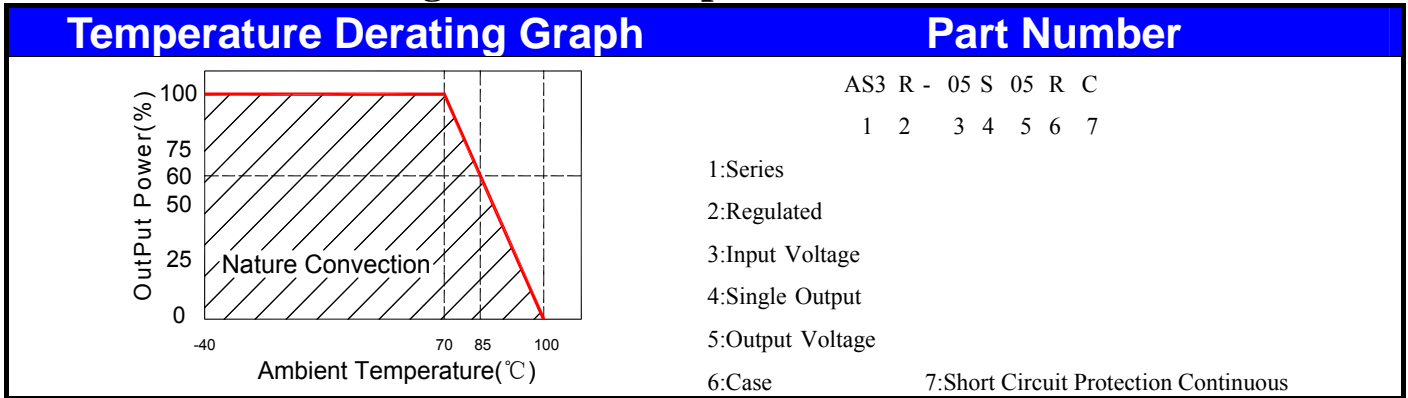
**Output Specifications**

Parameters	Conditions	Min	Typ	Max	Units
Voltage Tolerance	100% full load			±3	%
Short Circuit Protection	Continuous				
Line Regulation	Regulated			±0.5	%
Load Regulation	Regulated			±0.8	%
Ripple & Noise	Output:5-9V TYPES BW=DC To 20MHz			100	mVp-p
Ripple & Noise	Output:12-24V TYPES BW=DC To 20MHz			1% of Vout	mVp-p

**General Specifications**

Parameters	Conditions	Min	Typ	Max	Units
Isolation Resistance	500Vdc	1000			MΩ
Switching Frequency	Full load,nominal input		100		KHz
Operating Temperature		-40		85	°C
Humidity	Non Condensing			95	%
Cooling	Free air Convection				
Case material	Nickel Coated With Non-Conductive Base or Black Coated Copper With NON-Conductive Base				
MTBF	MIL-HDBK-217F@25°C	1500000			Hours
Weight			15.5		g
Dimensions			50.8x25.4x10.2		mm

1500Vdc Isolation Single & Dual Output 3 Watt Dc-Dc Converter



PIN Connection					
PIN	1	2	3	4	5
SINGLE	+Vin	-Vin	+Vout	NO PIN	-Vout
DUAL	+Vin	-Vin	+Vout	COM	-Vout