

DC-DC Astra
AS3R-xxDxxNCF
AS3R-xxSxxNCF

ООО Компания "Элемент"



1500Vdc Isolation Single & Dual Output 3watt 24pin

FEATURES:

- 24PIN DIL PACKAGE
- High Efficiency up to 85%
- Regulated Output Types
- Low Ripple And Noise
- Internal SMD Construction
- Operating Temperature:-40°C TO +85°C Industry Standard Pinout



Specifications typical at TA=25°C, nominal input voltage and rated output current unless otherwise specified

PART NO.	OUTPUT VOLTAGE	OUTPUT CURRENT	Efficiency
	Vdc	mA	%TYP
AS3R-XXS05NCF	5	600	65
AS3R-XXS09NCF	9	333	70
AS3R-XXS12NCF	12	250	75
AS3R-XXS15NCF	15	200	80
AS3R-XXS24NCF	24	125	80
AS3R-XXD05NCF	±5	±300	65
AS3R-XXD09NCF	±9	±167	70
AS3R-XXD12NCF	±12	±125	75
AS3R-XXD15NCF	±15	±100	80
AS3R-XXD24NCF	±24	±63	80

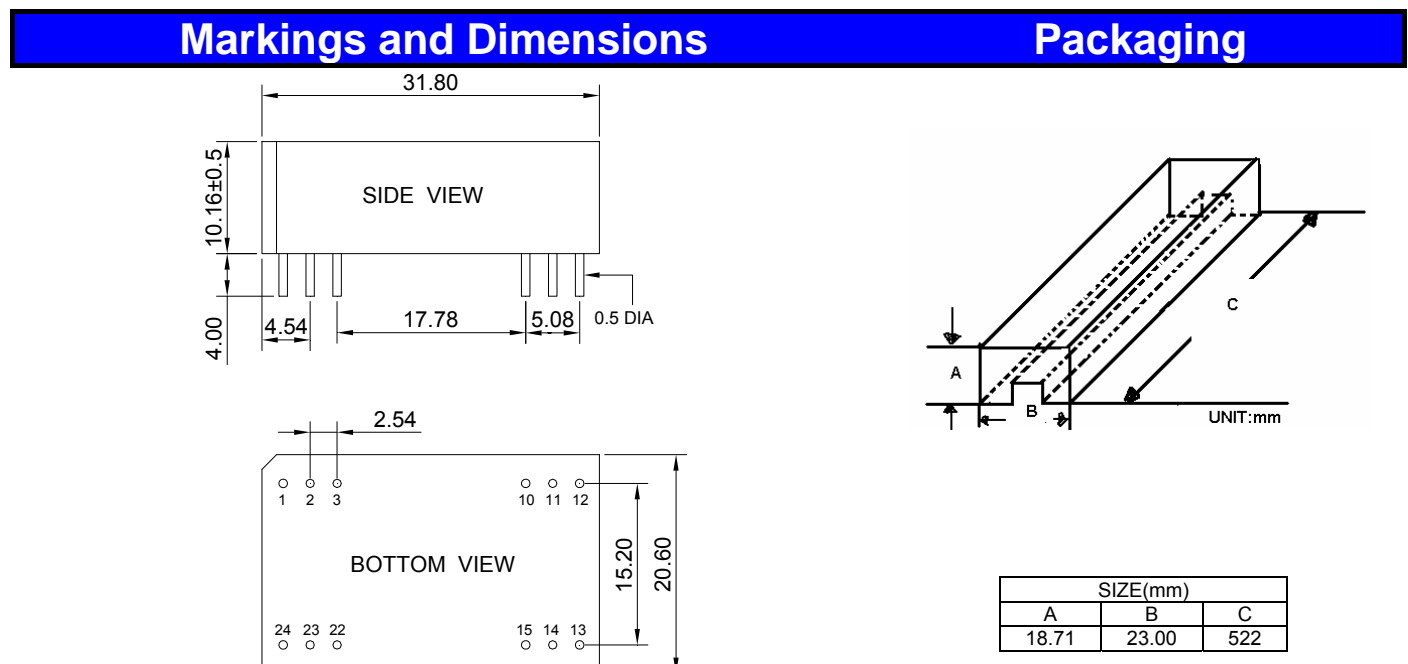
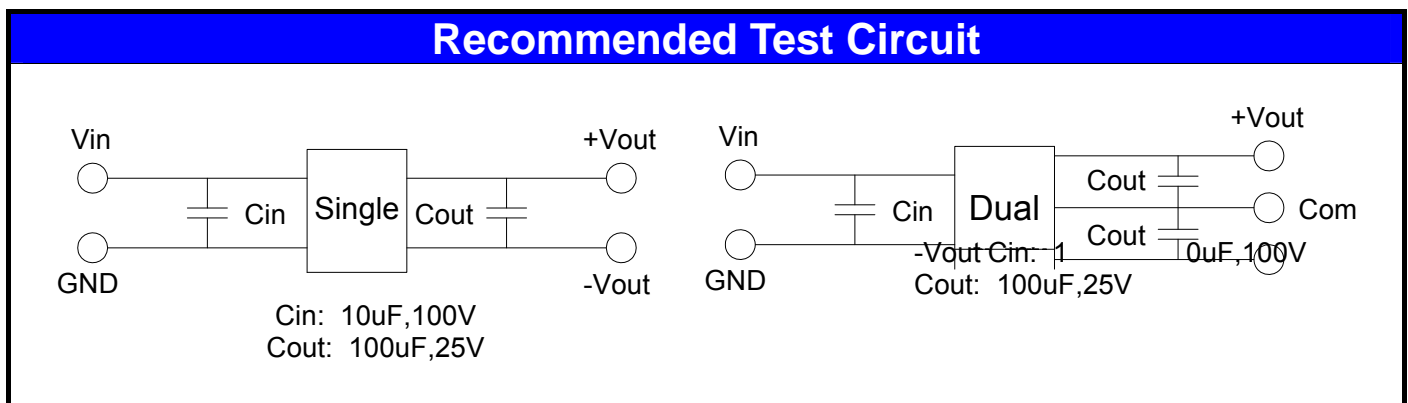
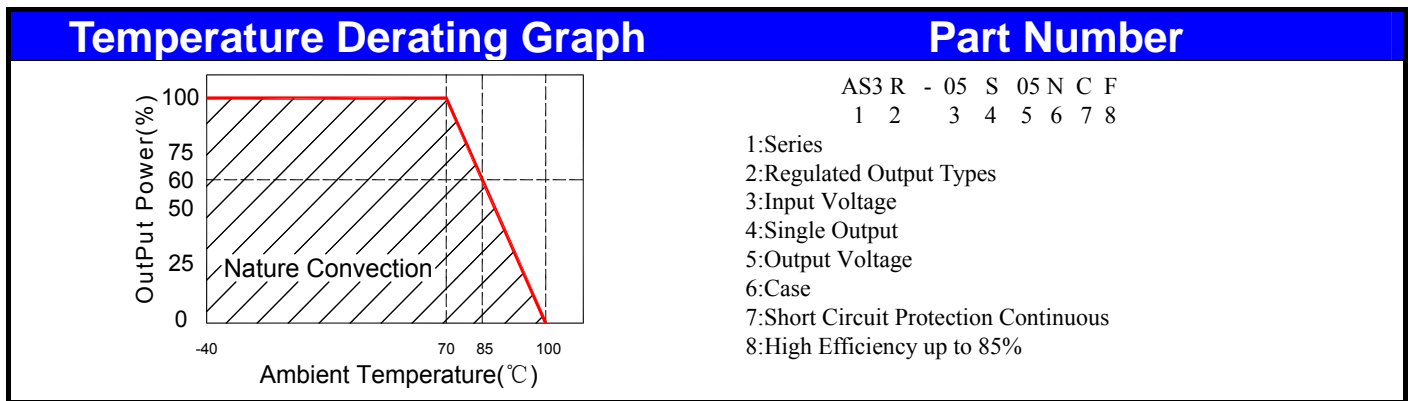
Note:1."XX" Is Input Voltage :05=5Vdc,09=9Vdc,12=12Vdc,15=15Vdc,24=24Vdc,48=48Vdc.

2.The input voltage increases, there will be an increase in efficiency.

Input Specifications					
Parameters	Conditions	Min	Typ	Max	Units
Voltage Tolerance	Vo, Io Nom			±10	%
Filter	Capacitor				

Output Specifications					
Parameters	Conditions	Min	Typ	Max	Units
Voltage Tolerance	100% full load			±3	%
Short Circuit Protection	Continuous				
Line Regulation	Regulated			±0.5	%
Load Regulation	Regulated			±0.8	%
Ripple & Noise	Output:5-9V TYPES BW=DC To 20MHz			100	mVp-p
Ripple & Noise	Output:12-24V TYPES BW=DC To 20MHz			1% of Vout	mVp-p
Transient response setting time	50% load step change		350		us

General Specifications					
Parameters	Conditions	Min	Typ	Max	Units
Isolation Resistance	500Vdc	1000			MΩ
Switching Frequency	Full load,nominal input		100		KHz
Operating Temperature		-40		85	°C
Humidity	Non Condensing			95	%
Cooling	Free air Convection				
Case material	Nickel Coated With Non-Conductive Base or Black Coated Copper With Non-Conductive Base				
MTBF	MIL-HDBK-217F@25°C	1500000			Hours
Weight			16.2		g
Dimensions			31.80X20.60X10.16		mm



PIN Connection							
PIN	1.2.3	10.11	12	13	14	15	22.23.24
Single	+Vin	NC	-Vout	+Vout	NC	NC	-Vin
Dual	+Vin	COM	NC	-Vout	NC	+Vout	-Vin