

## 2 Watt Dual Output Regulated 3000Vdc Isolation Dc-Dc Converter

### FEATURES:

- 2:1 Wide Input Voltages Range
- High Efficiency up to 80%
- Regulated Output Types
- Low Ripple And Noise
- Internal SMD Construction
- Operating Temperature: -40°C TO +85°C Industry Standard Pinout
- Continuous Short Circuit Protection With Current Foldback.



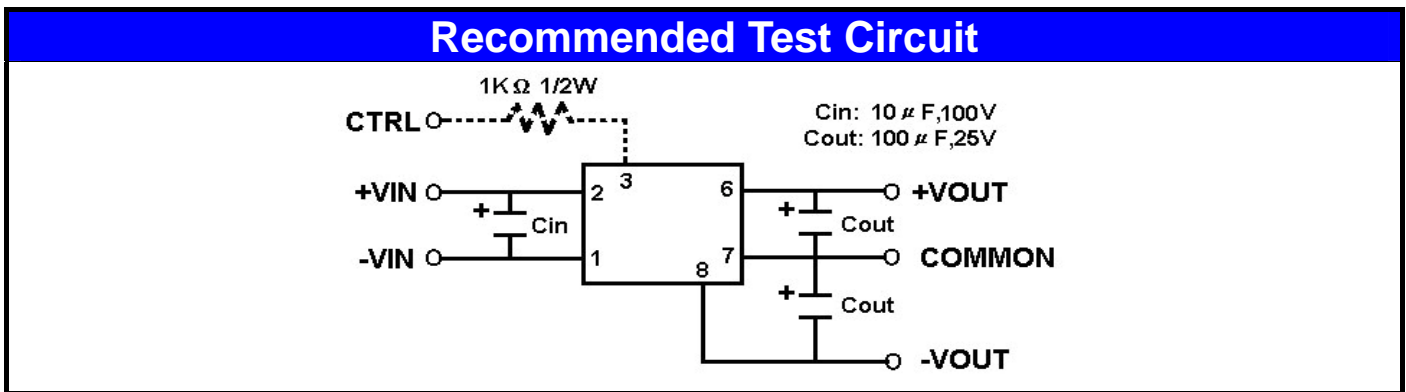
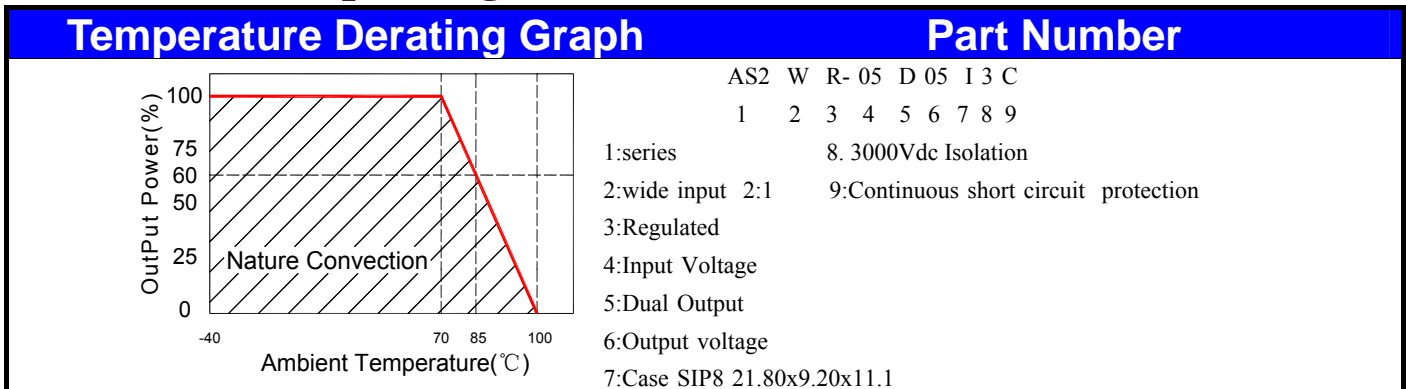
Specifications typical at TA=25°C, nominal input voltage and rated output current unless otherwise specified				
Part Number	Input Voltage Range	Output Voltage Range	Output Current	Efficiency
	Vdc	Vdc	mA	%TYP
AS2WR-05D05I3C	5	+5	+200	65
AS2WR-05D09I3C	5-9	+9	+111	70
AS2WR-05D12I3C	5-9	+12	+84	70
AS2WR-05D15I3C	5-9	+15	+67	70
AS2WR-05D24I3C	5-9	+24	+42	80
AS2WR-12D05I3C	9-18	+5	+200	70
AS2WR-12D09I3C	9-18	+9	+111	80
AS2WR-12D12I3C	9-18	+12	+84	80
AS2WR-12D15I3C	9-18	+15	+67	80
AS2WR-12D24I3C	9-18	+24	+42	80
AS2WR-24D05I3C	18-36	+5	+200	75
AS2WR-24D09I3C	18-36	+9	+111	80
AS2WR-24D12I3C	18-36	+12	+84	80
AS2WR-24D15I3C	18-36	+15	+67	80
AS2WR-24D24I3C	18-36	+24	+42	80
AS2WR-48D05I3C	36-72	+5	+200	70
AS2WR-48D09I3C	36-72	+9	+111	80
AS2WR-48D12I3C	36-72	+12	+84	80
AS2WR-48D15I3C	36-72	+15	+67	80
AS2WR-48D24I3C	36-72	+24	+42	80

Input Specifications					
Parameters	Conditions	Min	Typ	Max	Units
Voltage Tolerance	Vo, Io Nom			2:1	
Filter	Capacitor				

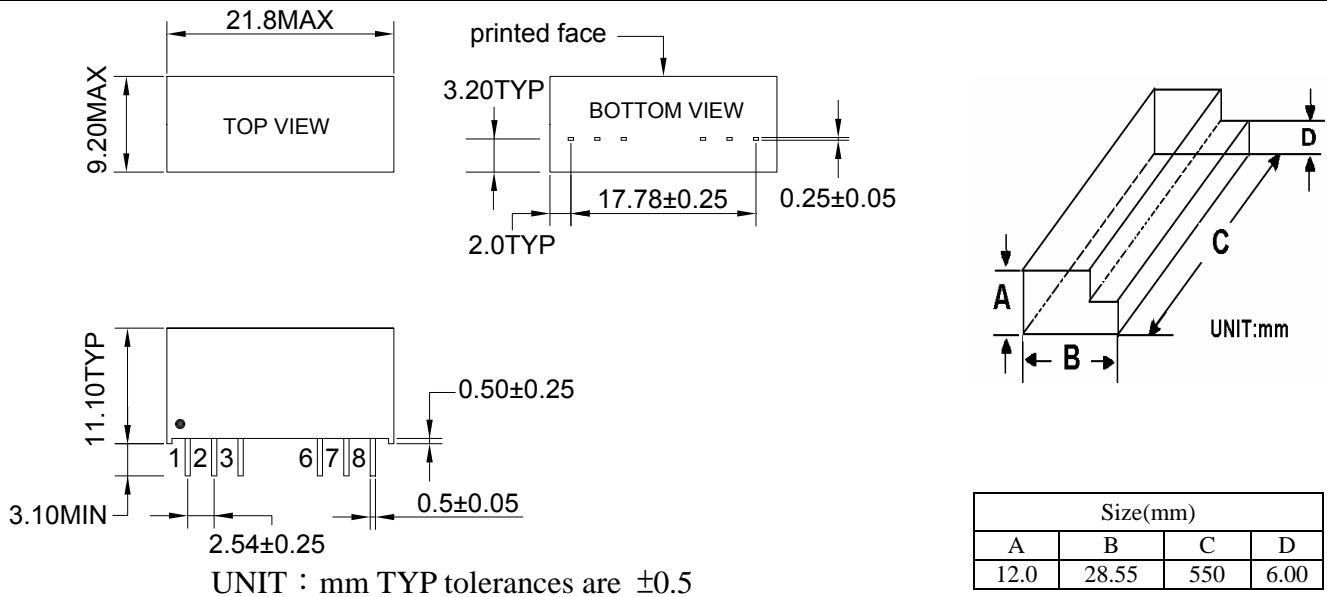
Output Specifications					
Parameters	Conditions	Min	Typ	Max	Units
Voltage Tolerance	100% full load			±3	%
Short Circuit Protection	Continuous				
Line Regulation	REGULATED			±0.5	%
Load Regulation	REGULATED			±0.8	%
Ripple & Noise	Output: 5-9V TYPES BW=DC To 20MHz			100	mVp-p
Ripple & Noise	Output: 12-24V TYPES BW=DC To 20MHz			1% of Vout	mVp-p
Transient response setting time	50% load step change		350		us

General Specifications					
Parameters	Conditions	Min	Typ	Max	Units
Isolation Resistance	500Vdc	1000			MΩ
Switching Frequency	Full load, nominal input		100		KHz
Operating Temperature		-40		85	°C
Humidity	Non Condensing			95	%
Cooling	Free air Convection				
Case material	DAP				
MTBF	MIL-HDBK-217F@25°C	1500000			Hours
Weight			4.5		g
Dimensions			21.8X9.2X11.1		mm

2 Watt Dual Output Regulated 3000Vdc Isolation Dc-Dc Converter



Markings and Dimensions	Packaging
-------------------------	-----------



<b>PIN Connection</b>						
PIN	1	2	3	6	7	8
Dual	-Vin	+Vin	Ctrl-Control input can (can be left open)	+Vout	COM	-Vout