

DC-DC Astra
AS2R-xxSxxM3C
AS2R-xxDxxM3C



3000Vdc Isolation Single & Dual Output 2 Watt Dc-Dc Converter

FEATURES:

- 24PIN DIL PACKAGE
- High Efficiency up to 70%
- Regulated Output Types
- Low Ripple And Noise
- Internal SMD Construction No External Component Required
- Operating Temperature: -40°C TO +85°C Industry Standard Pinout

Specifications typical at TA=25°C, nominal input voltage and rated output current unless otherwise specified			
PART NO.	OUTPUT VOLTAGE	OUTPUT CURRENT	Efficiency
	Vdc	mA	%TYP
AS2RxxS05M3C	5	400	60
AS2RxxS09M3C	9	222	60
AS2RxxS12M3C	12	167	60
AS2RxxS15M3C	15	133	60
AS2RxxS24M3C	24	84	60
AS2RxxD12M3C	± 12	± 84	60
AS2RxxD15M3C	± 15	± 67	60
AS2RxxD24M3C	± 24	± 42	60

Note:1."XX" Is Input Voltage :05=5Vdc,09=9Vdc,12=12Vdc,15=15Vdc,24=24Vdc,36=36Vdc,48=48Vdc.

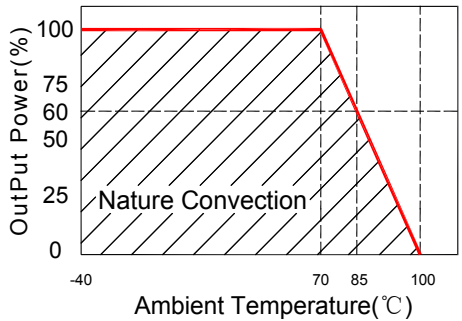
2.The input voltage increases, there will be an increase in efficiency.

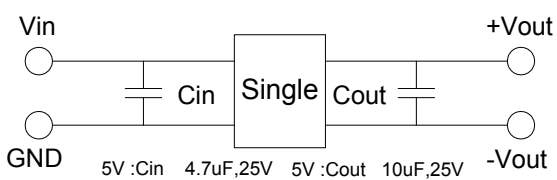
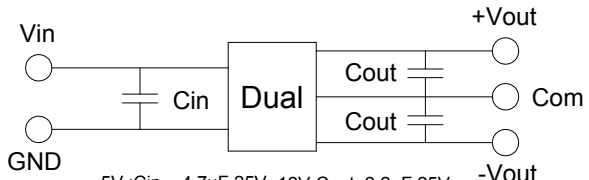
Input Specifications					
Parameters	Conditions	Min	Typ	Max	Units
Voltage Tolerance	Vo, Io Nom			± 10	%
Filter	Capacitor				

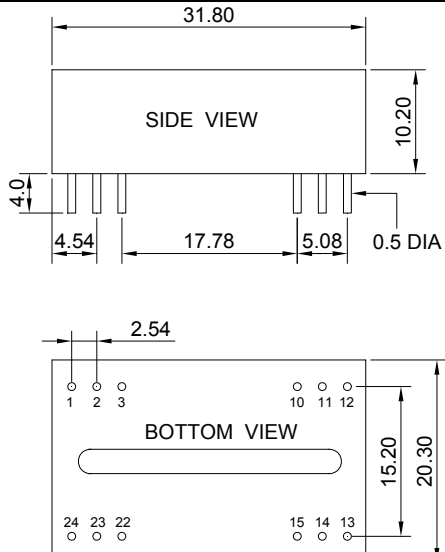
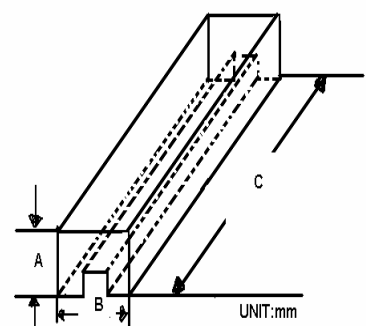
Output Specifications					
Parameters	Conditions	Min	Typ	Max	Units
Voltage Tolerance	100% full load			± 5	%
Short Circuit Protection	Continuous				
Short Circuit Restart	Automatic				
Line Regulation	Regulated			± 0.3	%
Load Regulation	Regulated			± 0.5	%
Ripple & Noise	BW=DC To 20MHz			50	mVp-p
Transient response setting time	50% load step change		350		us

General Specifications					
Parameters	Conditions	Min	Typ	Max	Units
Isolation Resistance	500Vdc	1000			MΩ
Switching Frequency	Full load,nominal input		125		KHz
Operating Temperature		-40		85	°C
Humidity	Non Condensing			95	%
Cooling	Free air Convection				
Case material	DAP				
MTBF	MIL-HDBK-217F@25°C	1500000			Hours
Weight			11.8		g
Dimensions	Case M	31.80x20.30x10.20			mm

3000Vdc Isolation Single & Dual Output 2 Watt Dc-Dc Converter

Temperature Derating Graph	Part Number
	<p>AS2R - 05 S 05 M 3 C</p> <p style="text-align: center;">1 2 3 4 5 6 7</p> <p>1:Series 2:Input Voltage 3:(S) Single (D) Dual Output 4:Output voltage 5:Case M 31.80x20.30x10.20 6. 3000Vdc Isolation 7.Continuous Short Circuit Protection</p>

Recommended Test Circuit	
	
<p>5V :Cin 4.7uF,25V 5V :Cout 10uF,25V</p> <p>9V :Cin 4.7uF,25V 9V :Cout 4.7uF,25V</p> <p>12V :Cin 2.2uF,25V 12V:Cout 2.2uF,25V</p> <p>15V:Cin 1uF,50V 15V:Cout 1uF,50V</p> <p>24V:Cin 1uF,50V 24V:Cout 1uF,50V</p> <p>36V:Cin 1uF,100V</p> <p>48V:Cin 1uF,100V</p>	<p>5V :Cin 4.7uF,25V 12V:Cout 2.2uF,25V</p> <p>9V :Cin 4.7uF,25V 15V:Cout 1uF,50V</p> <p>12V :Cin 2.2uF,25V 24V:Cout 1uF,50V</p> <p>15V:Cin 1uF,50V</p> <p>24V:Cin 1uF,50V</p> <p>36V:Cin 1uF,100V</p> <p>48V:Cin 1uF,100V</p>

Markings and dimensions	Packaging									
	 <table border="1" style="margin: auto;"> <thead> <tr> <th colspan="3">SIZE(mm)</th> </tr> <tr> <th>A</th> <th>B</th> <th>C</th> </tr> </thead> <tbody> <tr> <td>18.71</td> <td>23.00</td> <td>522</td> </tr> </tbody> </table>	SIZE(mm)			A	B	C	18.71	23.00	522
SIZE(mm)										
A	B	C								
18.71	23.00	522								

UNIT : mm Unless otherwise specified, all tolerances are ± 0.25

PIN Connection							
PIN	1.2.3	10.11	12	13	14	15	22.23.24
SINGLE	+Vin	NC	-Vout	+Vout	NC	NC	-Vin
DUAL	+Vin	COM	NC	-Vout	NC	+Vout	-Vin