

DC-DC Astra

AS2-xxSxxK

AS2-xxDxxK

ООО Компания "Элемент"



1000Vdc Isolation Single&Dual Output 2 Watt Dc-Dc Converter

FEATURES:

14PIN DIL Package

High Efficiency up to 85%

Recognized By UL 60950-1

Internal SMD Construction

Unregulated Output Types No External Component Required

Operating Temperature:-40°C TO +85°C Industry Standard Pinout

Specifications typical at TA=25°C, nominal input voltage and rated output current unless otherwise specified

Part Number	Output Voltage	Output Current	Efficiency
	Vdc	mA	%TYP
AS2-XXS05K	5	400	70
AS2-XXS09K	9	222	75
AS2-XXS12K	12	167	80
AS2-XXS15K	15	133	80
AS2-XXS24K	24	84	85
AS2-XXD05K	±5	±200	70
AS2-XXD09K	±9	±111	75
AS2-XXD12K	±12	±84	80
AS2-XXD15K	±15	±67	80
AS2-XXD24K	±24	±42	85

Note:1."XX" Is Input Voltage:03=3.3Vdc, 05=5Vdc, 09=9Vdc,12=12Vdc,15=15Vdc 24=24Vdc.

2. The input voltage increases, there will be an increase in efficiency

Input Specifications

Parameters	Conditions	Min	Typ	Max	Units
Voltage Tolerance	Vo,Io Nom			± 10	%
Filter	Capacitor				

Output Specifications

Parameters	Conditions	Min	Typ	Max	Units
Voltage Tolerance	100% full load			± 5	%
Short Circuit Protection	Short Term			1 Sec	
Line Regulation	For 1.0% OF Vin		1.2		%
Load Regulation	5V(10% To 100% F.L)			15	%
Load Regulation	9V,12V,15V,24V(10% To 100% F.L)			10	%
Ripple & Noise	BW=DC To 20MHZ			100	mVp-p
Transient response setting time	50% load step change		350		us

General Specifications

Parameters	Conditions	Min	Typ	Max	Units
Isolation Resistance	500Vdc	1000			MΩ
Switching Frequency	Full load,nominal input		75		KHz
Operating Temperature		-40		+85	°C
Humidity	Non Condensing			95	%
Cooling	Free air Convection				
Case material	DAP				
MTBF	MIL-HDBK-217F 25°C	3500000			Hours
Weight			2.8		g
Dimensions			20.32x10.16x7.70		mm

ООО Компания "Элемент"

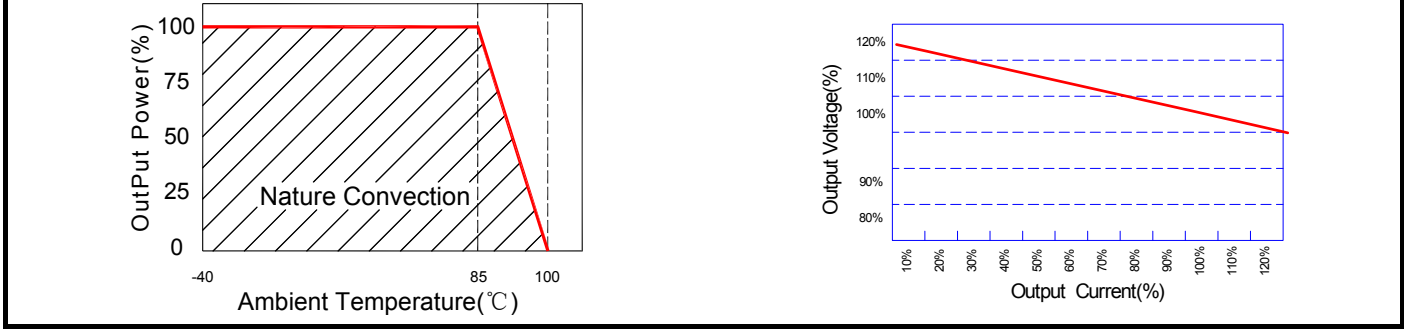
г.Новосибирск, ул.Некрасова д.50 оф.902

www.astra-power.ru

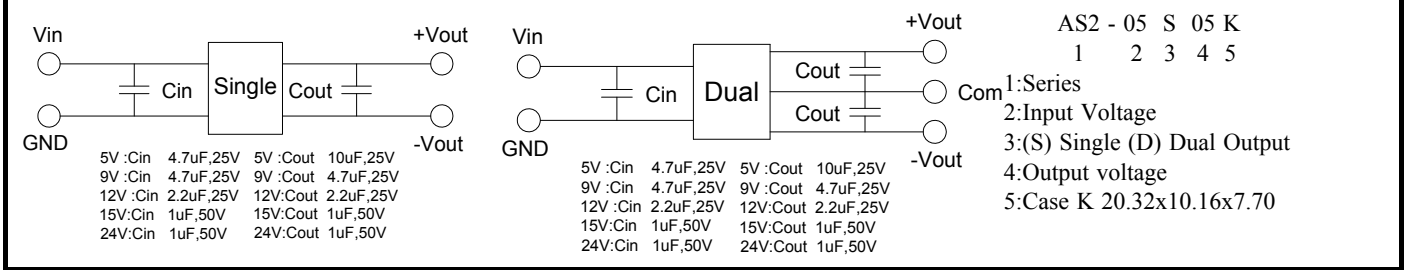
тел. (383)233-77-25, 233-77-26

моб.тел. 8-913-95-95-400

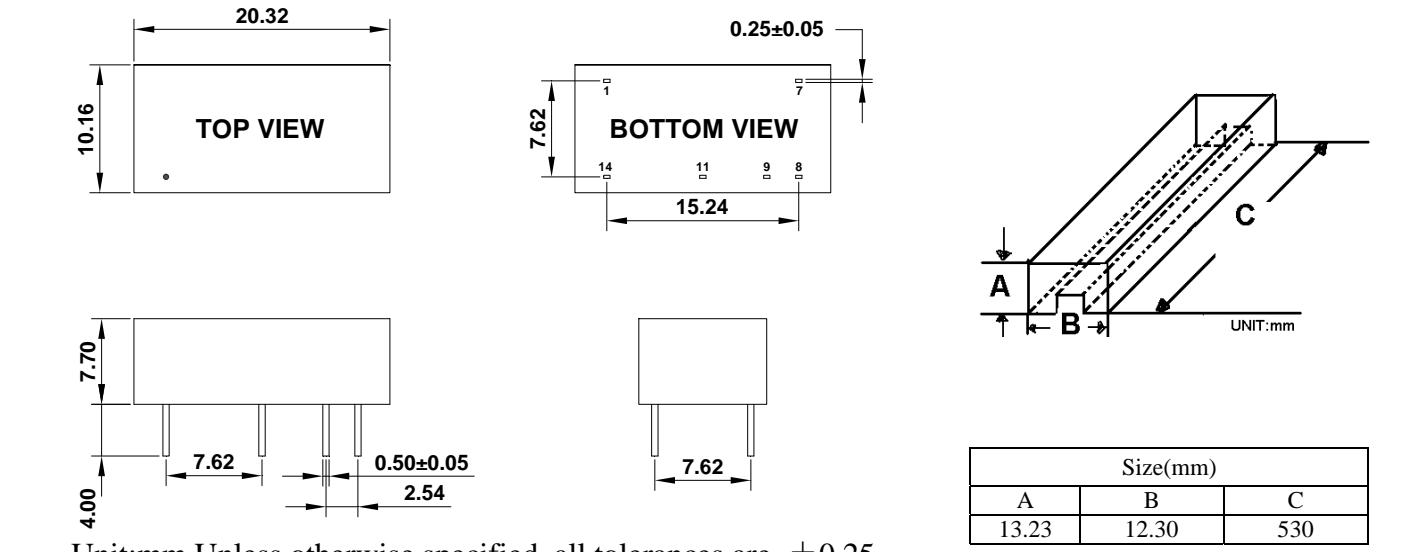
Temperature Derating Graph Tolerance Envelope Graph



Recommended Test Circuit Part Number



Markings and Dimensions Packaging



PIN Connection

14 PIN	1	7	8	9	11	14
Single	-Vin	NC	-Vout	+Vout	NO PIN	+Vin
Dual	-Vin	NC	Com	+Vout	-Vout	+Vin